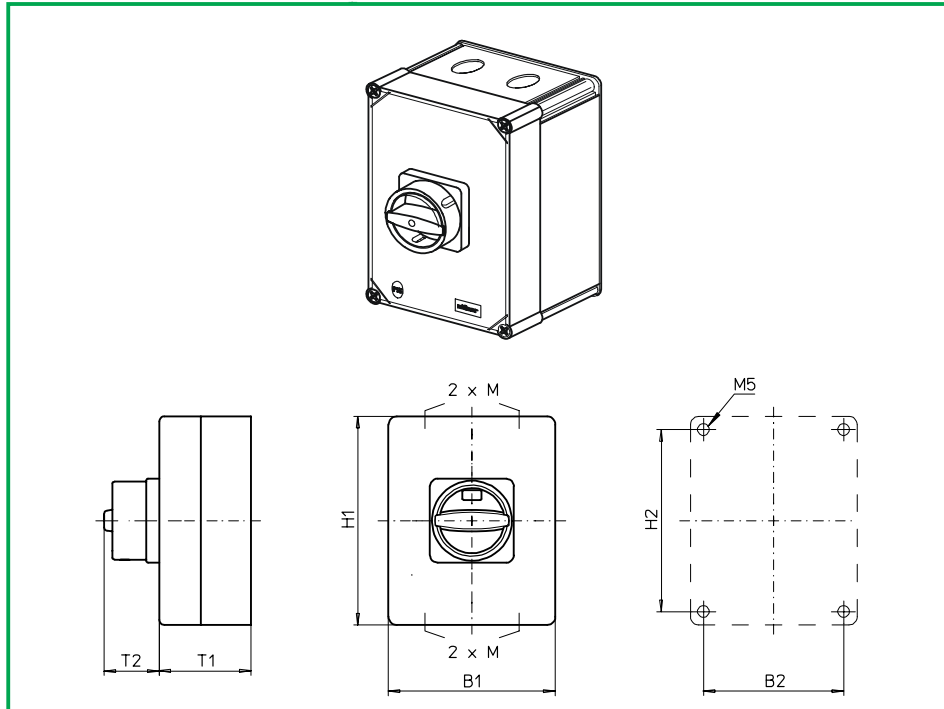


Enclosed Switches

sälzer



**Product line
H400-A**

Enclosed switches

Insulated enclosures
320 x 220 x 180 mm

Cable entries
4 x M50

477N1 (IP66)
477N4 (IP66)

Complete switch	Poles	Product line	Rated data (IEC 60947)			Order code number
			Operational current I_e	Operational power at 380–440 V		
			AC-21A A	AC-23A kW	AC-3 kW	
Main Switches OFF position padlockable 09h	3 ... 4	H400-A	63	22	18,5	H406 - 41 ... - 477N1
			80	30	22	H408 - 41 ... - 477N1
			100	37	30	H410 - 41 ... - 477N1
			125	45	37	H412 - 41 ... - 477N1
Main/Emergency-Off Switches OFF position padlockable 09h	3 ... 4	H400-A	63	22	18,5	H406 - 41 ... - 477N4
			80	30	22	H408 - 41 ... - 477N4
			100	37	30	H410 - 41 ... - 477N4
			125	45	37	H412 - 41 ... - 477N4

SMD modules for basic switch A02		
Mounting form module (switch module ED)	H400-A	BFA4 - ED
Enclosure module, mounting form 477N1		PAH4 - 477N1
Enclosure module, mounting form 477N4		PAH4 - 477N4

Dimensions (mm)							
Product line	H1	B1	T1	T2	2xM	H2	B2
H400-A	320	220	180	45	50	293	193