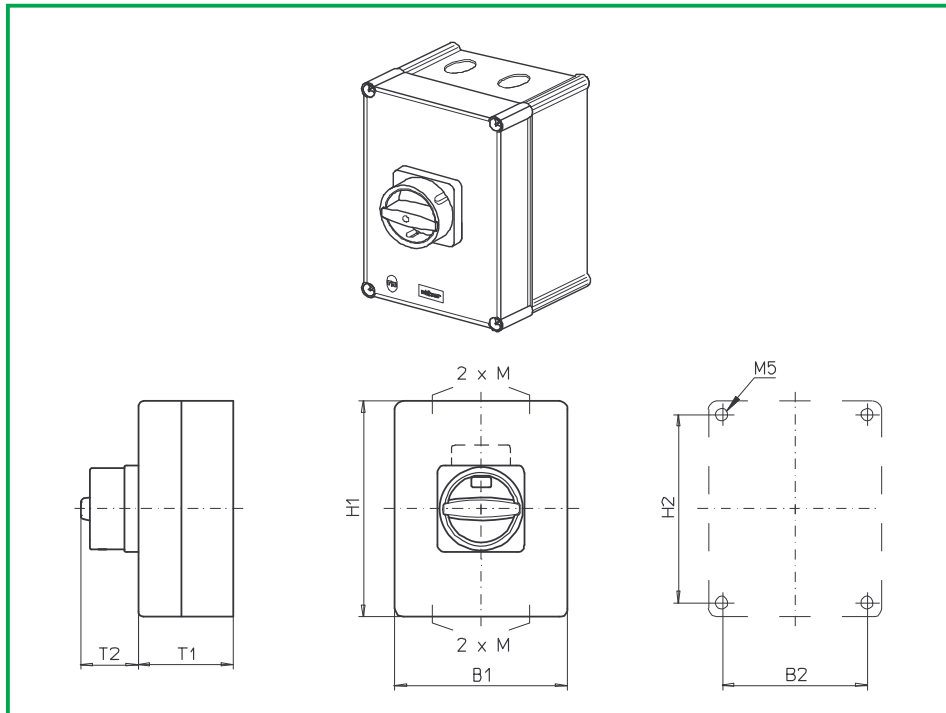


Enclosed Switches



Product line
H400-A

Enclosed switches

Insulated enclosure

280 x 190 x 130 mm

With cover interlock
in ON position

Cable entries

4 x with screw thread
M40x1,5

770N1 (IP66)

770N4 (IP66)

Complete switch	Poles	Product line	Rated data (IEC 60947)			Order code number
			Operational current I _e	Operational power at 380–440 V		
			AC-21A A	AC-23A kW	AC-3 kW	
Main Switches OFF position padlockable 09h	3 ... 4	H400-A	63	22	18,5	H406 - 41 ... - 770N1
			80	30	22	H408 - 41 ... - 770N1
			100	37	30	H410 - 41 ... - 770N1
Main/Emergency-Off Switches OFF position padlockable 09h	3 ... 4	H400-A	63	22	18,5	H406 - 41 ... - 770N4
			80	30	22	H408 - 41 ... - 770N4
			100	37	30	H410 - 41 ... - 770N4

Realisable switching programmes:
 3 pole **41300**, 41311, 41320, 41322, 41331, 41340
 3 pole+N **46300**, 46311, 46320
 4 pole **41400**, 41411, 41420

SMD modules for basic switch A02			
Mounting form module for 770N1/ 770N4		H400-A	BFA4 - E8
Enclosure module, mounting form 770N1			PAH4 - 770N1
Enclosure module, mounting form 770N4			PAH4 - 770N4

Note:
2 x screw plugs with screw thread M40x1,5 part of delivery capacity.

Dimensions (mm)							
Product line	H1	B1	T1	T2	2xM	H2	B2
H400-A	280	190	130	45	M40x1,5	254	164