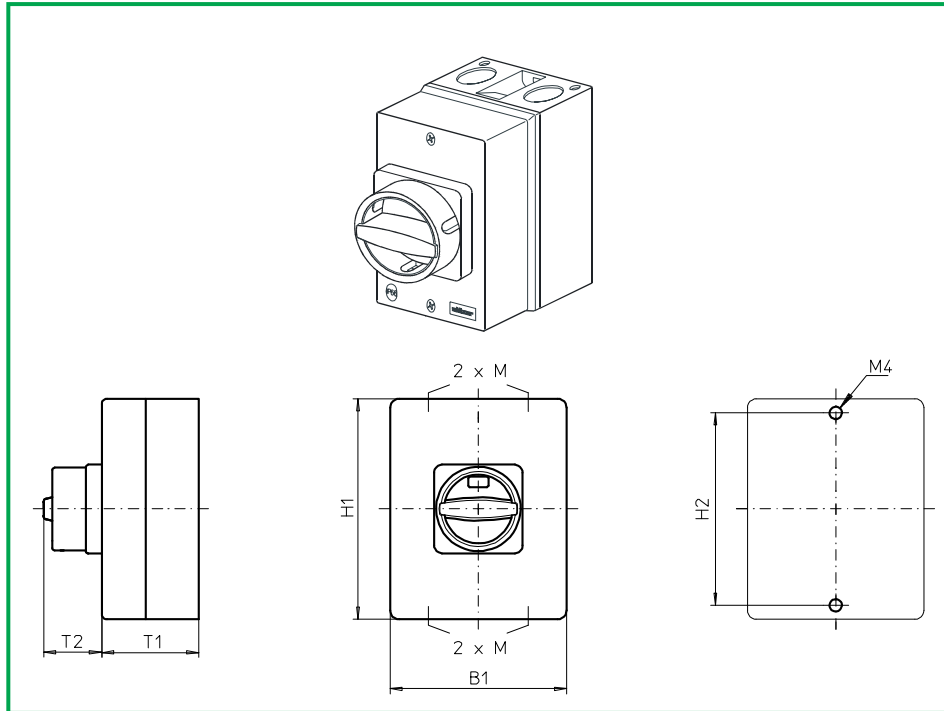


Enclosed Switches

sälzer



Product line
H200-A/ -B

Enclosed switches

Insulated enclosures
175 x 115 x 100 mm

With cover interlock
in ON position

Cable entries
4 x M20/ M25

710N1 (IP66)
710N4 (IP66)

Complete switch	Poles	Product line	Rated data (IEC 60947)			Order code number
			Operational current I _e	Operational power at 380–440 V		
			AC-21A A	AC-23A kW	AC-3 kW	
Main Switches OFF position padlockable 09h	3 ... 4	H200-A	20	5,5	3,7	H216 - 41 ... - 710N1
			25	7,5	5,5	H220 - 41 ... - 710N1
			32	11	7,5	H226 - 41 ... - 710N1
			40	15	11	H233 - 41 ... - 710N1
			63	18,5	15	H263 - 41 ... - 710N1
Main/Emergency-Off Switches OFF position padlockable 09h	3 ... 4	H200-A	20	5,5	3,7	H216 - 41 ... - 710N4
			25	7,5	5,5	H220 - 41 ... - 710N4
			32	11	7,5	H226 - 41 ... - 710N4
			40	15	11	H233 - 41 ... - 710N4
			63	18,5	15	H263 - 41 ... - 710N4
	3 ... 4	H200-B				

SMD modules for basic switch A02		
Mounting form module for 710N1/ 710N4	H200-A	BFA2 - E7
Mounting form module for 710N1/ 710N4	H200-B	BFB2 - E7
Enclosure module, mounting form 710N1	H200-A/ -B	PAH2 - 710N1
Enclosure module, mounting form 710N4	H200-A/ -B	PAH2 - 710N4

Dimensions (mm)						
Product lines	H1	B1	T1	T2	2xM	H2
H200-A	175	115	100	33	20/25	165
H200-B	175	115	100	33	20/25	165