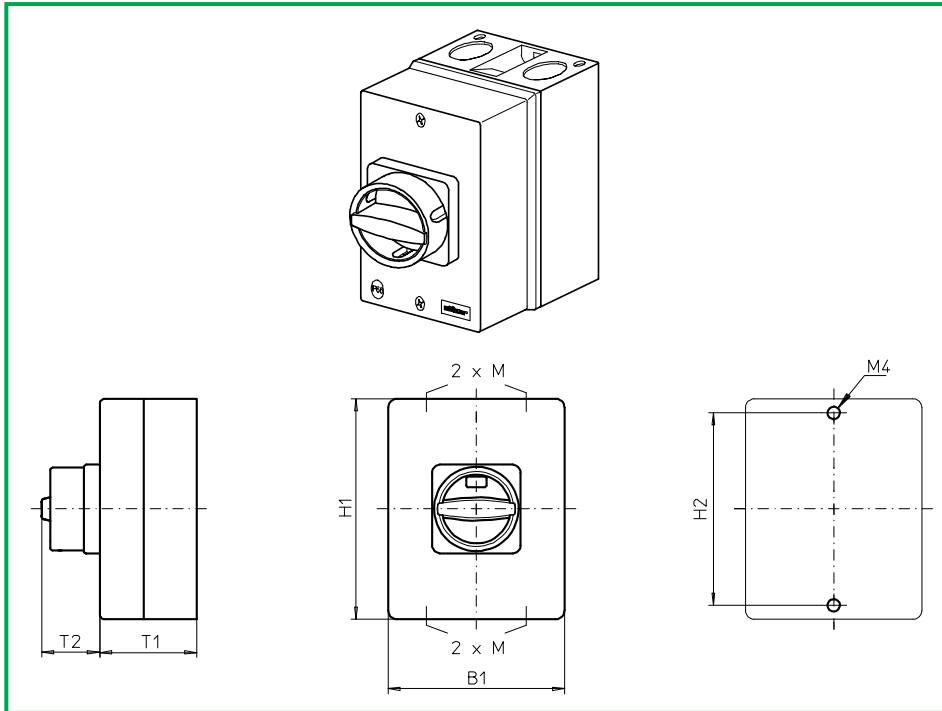


Enclosed Switches

sälzer



Product line
H200-D

Enclosed switches

Insulated enclosures
250 x 160 x 95 mm

Cable entries
4 x M25/ M32

477N1 (IP66)
477N4 (IP66)

Complete switch	Poles	Product line	Rated data (IEC 60947)			Order code number
			Operational current I_e	Operational power at 380–440 V		
			AC-21A A	AC-23A kW	AC-3 kW	
Main Switches OFF position padlockable 09h	6 ... 8	H200-D	20	5,5	3,7	H216 - 41 ... - 477N1
			25	7,5	5,5	H220 - 41 ... - 477N1
			32	11	7,5	H226 - 41 ... - 477N1
			40	15	11	H233 - 41 ... - 477N1
Main/Emergency-Off Switches OFF position padlockable 09h	6 ... 8	H200-D	20	5,5	3,7	H216 - 41 ... - 477N4
			25	7,5	5,5	H220 - 41 ... - 477N4
			32	11	7,5	H226 - 41 ... - 477N4
			40	15	11	H233 - 41 ... - 477N4

SMD modules for basic switch A02			
Mounting form module (switch module EA)		H200-D	BFB2 - EA
Enclosure module, mounting form 477N1		H200-D	PAH2 - 477N1
Enclosure module, mounting form 477N4		H200-D	PAH2 - 477N4

Dimensions (mm)						
Product line	H1	B1	T1	T2	2xM	H2
H200-D	250	160	95	33	25/32	240