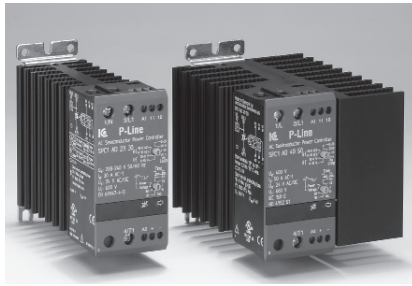


# 1 Phase electronic analogue power controller (SPC 1)



- Analogue controller for accurate process control
- Phase angle or burst firing control of heaters, lamps, trafos
- Rated operational voltage range: 230VAC, 480VAC
- Rated operational current up to 30A or 50A AC1
- Current Loop Control: 0-20mA, 4-20 mA
- Voltage Control: 0-10 VDC
- Manual Control: 10 kohm potentiometer
- Reverse action operation possible

## Item selection and technical specifications

Load AC-1/51 Heating-element	Load AC-3 Motor*	Load AC-55b Lamp	Load AC-56a Trans-former	Analogue control input signal	Item number by 110-127VAC 50/60Hz Line Voltage	Item number by 208-230VAC 50/60Hz Line Voltage	Item number by 380-480VAC 50/60Hz Line Voltage	Module-width
30A	15A	30A	30A	0-20 / 20-0 mA, 4-20 / 20-4 mA 0-10 / 10-0 VDC, 0-10 / 10-0 kohm		SPC 1 AD 2330	SPC 1 AD 4030	45mm
50A	15A	30A	30A			SPC 1 AD 2350	SPC 1 AD 4050	90mm

## Output load specification

Leakage current	1mA ACmax.	Min. operational current	10mA
Duty cycle	100%		
Load power by 30A / 230VAC	0-6.9kW	Load power by 50A / 230VAC	0-11.5kW
Load power by 30A / 400VAC	0-12kW	Load power by 50A / 400VAC	0-20kW

## Control terminal specifications

Current Loop Control Voltage drop 3 Volt Max.	0 - 20 mA / 20 - 0 mA	Manual Control with potentiometer	0-10 kohm / 10-0 kohm
Current Loop Control Voltage drop 3 Volt Max.	4 - 20 mA / 20 - 4 mA		
Voltage Control Input resistance 300 kohm min.	0-10 V / 10-0 V	Control Voltage supply	24VAC/24VDC max. 30 mA

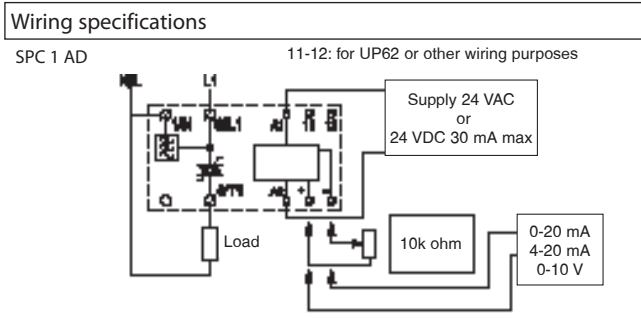
## Thermal specification

Power dissipation for continuous operation PDmax	1.2 W/A	Operation in ambient temperatures exceeding 40°C is possible if the power dissipation is limited either by reducing the steady-state current or by reducing the duty-cycle as shown in the table. Max.cycle time 15min.														
Power dissipation for intermittent operation PD	1.2 W/A x dutycycle															
Cooling method	Natural convection															
Mounting	Vertical +/-30°															
Operating temperature range EN 60947-4-3	-5°C to 40°C															
Max. operating temperature with current derating	60°C															
Storage temperature EN 60947-4-3	-20°C to 80°C															
		<table border="1"> <thead> <tr> <th>By 40°C</th> <th>By 50°C</th> <th>By 60°C</th> </tr> </thead> <tbody> <tr> <td>100% load Duty-cycle 100%</td> <td>80% load Duty-cycle max. 0.8</td> <td>70% load Duty-cycle max. 0.65</td> </tr> </tbody> </table>			By 40°C	By 50°C	By 60°C	100% load Duty-cycle 100%	80% load Duty-cycle max. 0.8	70% load Duty-cycle max. 0.65						
By 40°C	By 50°C	By 60°C														
100% load Duty-cycle 100%	80% load Duty-cycle max. 0.8	70% load Duty-cycle max. 0.65														
<table border="1"> <thead> <tr> <th colspan="4">Environment</th> </tr> </thead> <tbody> <tr> <td>Degree of protection</td> <td>IP 20</td> <td>Pollution degree</td> <td>3</td> </tr> </tbody> </table>					Environment				Degree of protection	IP 20	Pollution degree	3				
Environment																
Degree of protection	IP 20	Pollution degree	3													
<table border="1"> <thead> <tr> <th colspan="4">Approval</th> </tr> </thead> <tbody> <tr> <td colspan="4">cUL Std No. 508 (*No UL approval for AC 3 motor load)</td> </tr> <tr> <td colspan="4">UL:Use thermal overload protection as required by the National Electric Code. When protected by a non-time delay K5 or H Class fuse, rated 266% of motor FLA, this device is rated for use on a circuit capable of delivering not more than 5,000 rms. symmetrical amperes, 600 V maximum. Maximum surrounding temperature 40°C.</td> </tr> </tbody> </table>					Approval				cUL Std No. 508 (*No UL approval for AC 3 motor load)				UL:Use thermal overload protection as required by the National Electric Code. When protected by a non-time delay K5 or H Class fuse, rated 266% of motor FLA, this device is rated for use on a circuit capable of delivering not more than 5,000 rms. symmetrical amperes, 600 V maximum. Maximum surrounding temperature 40°C.			
Approval																
cUL Std No. 508 (*No UL approval for AC 3 motor load)																
UL:Use thermal overload protection as required by the National Electric Code. When protected by a non-time delay K5 or H Class fuse, rated 266% of motor FLA, this device is rated for use on a circuit capable of delivering not more than 5,000 rms. symmetrical amperes, 600 V maximum. Maximum surrounding temperature 40°C.																

## Insulation specifications

Rated insulation voltage	Ui 660 Volt	<p>cUL Std No. 508 (*No UL approval for AC 3 motor load)</p> <p>UL:Use thermal overload protection as required by the National Electric Code. When protected by a non-time delay K5 or H Class fuse, rated 266% of motor FLA, this device is rated for use on a circuit capable of delivering not more than 5,000 rms. symmetrical amperes, 600 V maximum. Maximum surrounding temperature 40°C.</p>
Rated impulse withstand voltage	Uimp. 4 kVolt	
Installation category	III	

# 1 Phase electronic analogue power controller (SPC 1)



**Short-circuit protection by fuses**

Two type of short-circuit protection can be used:

Short-circuit protection by fuses  
Short-circuit protection is divided into 2 levels Type 1 or Type 2

Co-ordination Type 1: Short-circuit protects the installation  
SPC 1 AD XX30 Protection max. 50A gL/gG  
SPC 1 AD XX50 Protection max. 50A gL/gG

Co-ordination Type 2: Short-circuit protects the installation and the semi-conductors inside the motor controller  
SPC 1 AD XX30 Protection max.  $i^2t$  of the fuse 1800 A<sup>2</sup>S  
SPC 1 AD XX50 Protection max.  $i^2t$  of the fuse 1800 A<sup>2</sup>S

Fuses from e.g. Ferraz, Siba, Bussmann can be used as short-circuit protection Type 2

More information concerning Co-ordination Type 2 see page 45

**EMC**

This component meets the requirements of the product standard EN 60947-4-3 and is CE marked according to this standard. This products has been designed for class A equipment. Use of the product in domestic environments may cause radio interference, in which case the user may be required to employ additional mitigation methods.

**Mounting and cable wiring information**

Mounting information see page 44 / Cable wiring see page 45

**Application hints and general specifications**

See page 40-41

**Thermal overload protection (see also page 44)**

Optional thermal overload protection is possible by inserting a thermostat in a slot on the right hand side of the electronic contactor. Type number UP62

**Example 1**

The thermostat can be connected in series with the control circuit of the electronic contactor. When the temperature of the heatsink exceeds 90°C the electronic contactor will switch Off.  
Note: When the temperature has dropped approx. 30°C the electronic contactor will automatically be switched on again.

**Example 2**

The thermostat is connected in series with the control circuit of the main contactor. When the temperature of the heatsink exceeds 90°C the main contactor will switch Off.  
Note: A manual reset is necessary to restart this circuit.

- Utilisation Categories (EN 60947-4-3)**
- AC - 51 Switching of resistive loads
  - AC - 55a Switching of electric discharge lamp controls
  - AC - 55b Switching of incandescent lamps
  - AC - 56a Switching of transformers

**Dimensions (see also page 44)**

Type	H	D	W
45 mm module	94 mm	124.3 mm	45 mm
90 mm module	94 mm	124.3 mm	90 mm