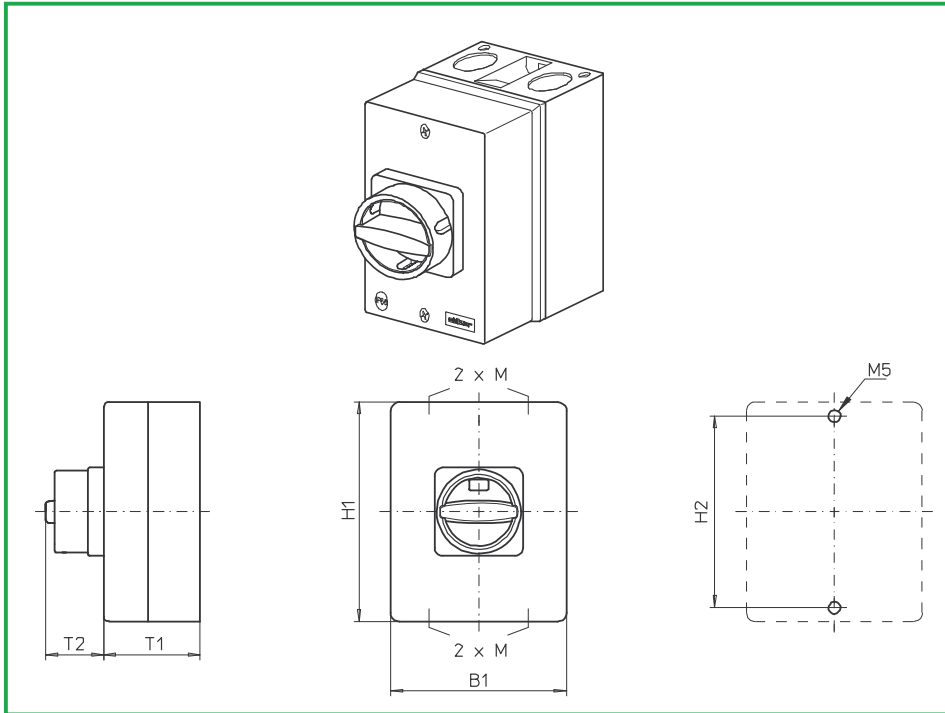


Enclosed Switches



Product line
B200-A

Enclosed switch

Insulated enclosure
250 x 160 x 120 mm

With cover interlock
in ON position

with N/PE connection link

Cable entries
4 x M32/ M40

730N1 (IP66)
730N4 (IP66)

Complete switch	Poles	Product lines	Rated data (IEC 60947)			Order code number
			Operational current I _e	Operational power at 380–440 V		
			AC-21A A	AC-23A kW	AC-3 kW	
Main Switches OFF position padlockable 09h	3 ... 4	B200-A	50 63	18,5 22	15 18,5	B250 - 41 ... - 730N1 B263 - 41 ... - 730N1
Main/Emergency-Off Switches OFF position padlockable 09h	3 ... 4	B200-A	50 63	18,5 22	15 18,5	B250 - 41 ... - 730N4 B263 - 41 ... - 730N4

SMD modules for basic switch A02						
Mounting form module (switch module ED)				B200-A		BFD2 - ED
Enclosure module, mounting form 730N1						PAB2 - 730N1
Enclosure module, mounting form 730N4						PAB2 - 730N4

Dimensions (mm)						
Product line	H1	B1	T1	T2	2xM	H2
B200-A	250	160	120	45	32/40	235