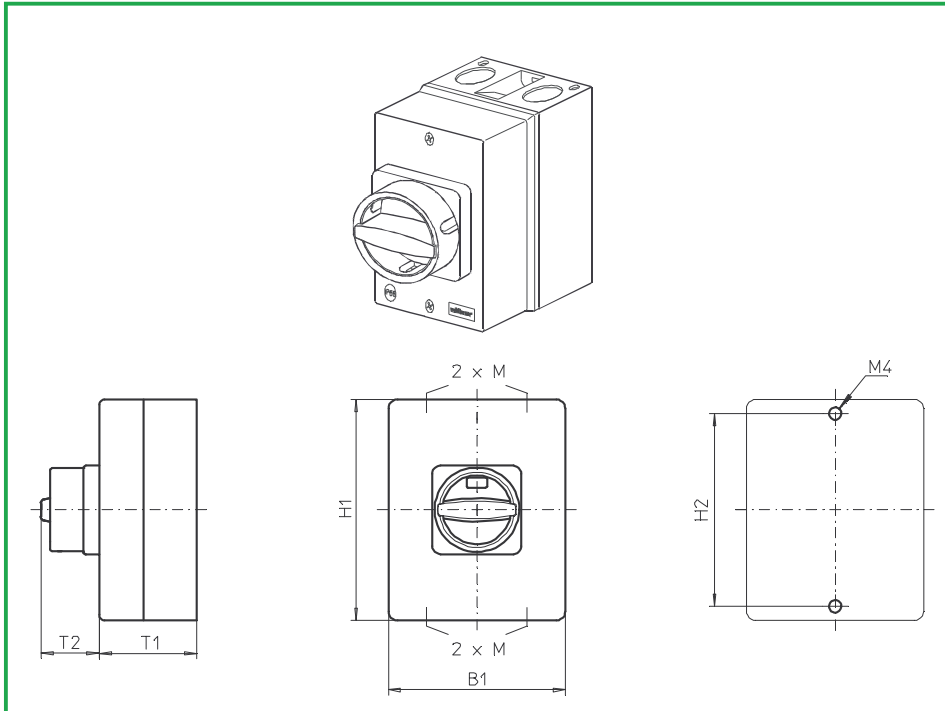


Enclosed Switches



Product line
B200-A

Enclosed switch

Insulated enclosure
175 x 115 x 100 mm

With cover interlock
in ON position

Cable entries
4 x M20/M25

710N1 (IP66)
710N4 (IP66)

Complete switch	Poles	Product lines	Rated data (IEC 60947)			Order code number
			Operational current I _e	Operational power at 380–440 V		
			AC-21A A	AC-23A kW	AC-3 kW	
Main Switches OFF position padlockable 09h	3 ... 4	B200-A	50 63	18,5 22	15 18,5	B250 - 41 ... - 710N1 B263 - 41 ... - 710N1
Main/Emergency-Off Switches OFF position padlockable 09h	3 ... 4	B200-A	50 63	18,5 22	15 18,5	B250 - 41 ... - 710N4 B263 - 41 ... - 710N4

SMD modules for basic switch A02

Mounting form module for 710N1/ 710N4

B200-A

BFB2 - E7

Enclosure module, mounting form 710N1
Enclosure module, mounting form 710N4

PAH2 - 710N1
PAH2 - 710N4

Remark to mounting form:
Terminal capacity max. 16 mm² on N-terminal and/or PE-terminal

Dimensions (mm)

Product lines	H1	B1	T1	T2	2xM	H2
B200-A	175	115	100	33	20/25	165