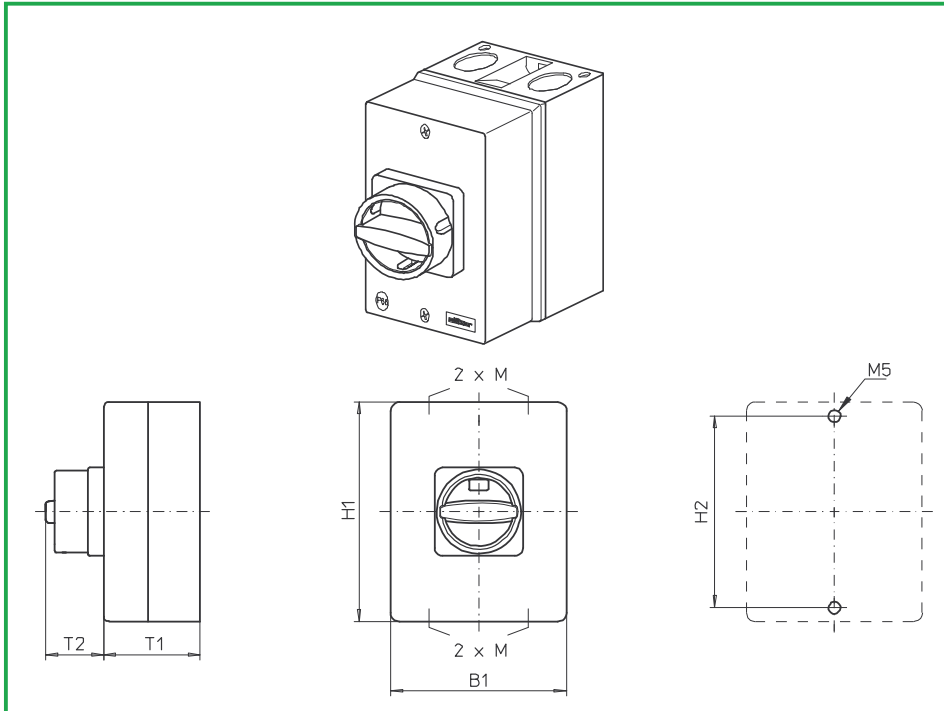


# Enclosed Switches



**Product line**  
**H200-A**

**Enclosed switch**

**Insulated enclosure**

250 x 160 x 120 mm

With cover interlock  
in ON position

with N/PE connection link

**Cable entries**

4 x M32/ M40

**730N1 (IP66)**

**730N4 (IP66)**

Complete switch	Poles	Product lines	Rated data (IEC 60947)			Order code number
			Operational current $I_e$	Operational power at 380–440 V		
			AC-21A A	AC-23A kW	AC-3 kW	
Main Switches OFF position padlockable 09h	3 ... 4	H200-A	20	5,5	3,7	<b>H216 - 41 ... - 730N1</b>
			25	7,5	5,5	<b>H220 - 41 ... - 730N1</b>
			32	11	7,5	<b>H226 - 41 ... - 730N1</b>
			40	15	11	<b>H233 - 41 ... - 730N1</b>
Main/Emergency-Off Switches OFF position padlockable 09h	3 ... 4	H200-A	20	5,5	3,7	<b>H216 - 41 ... - 730N4</b>
			25	7,5	5,5	<b>H220 - 41 ... - 730N4</b>
			32	11	7,5	<b>H226 - 41 ... - 730N4</b>
			40	15	11	<b>H233 - 41 ... - 730N4</b>

SMD modules for basic switch A02			
Mounting form module (switch module ED)		H200-A	<b>BFA2 - ED</b>
Enclosure module, mounting form 730N1			<b>PAH2 - 730N1</b>
Enclosure module, mounting form 730N4			<b>PAH2 - 730N4</b>

Dimensions (mm)						
Product line	H1	B1	T1	T2	2xM	H2
H200-A	250	160	120	33	32/40	235