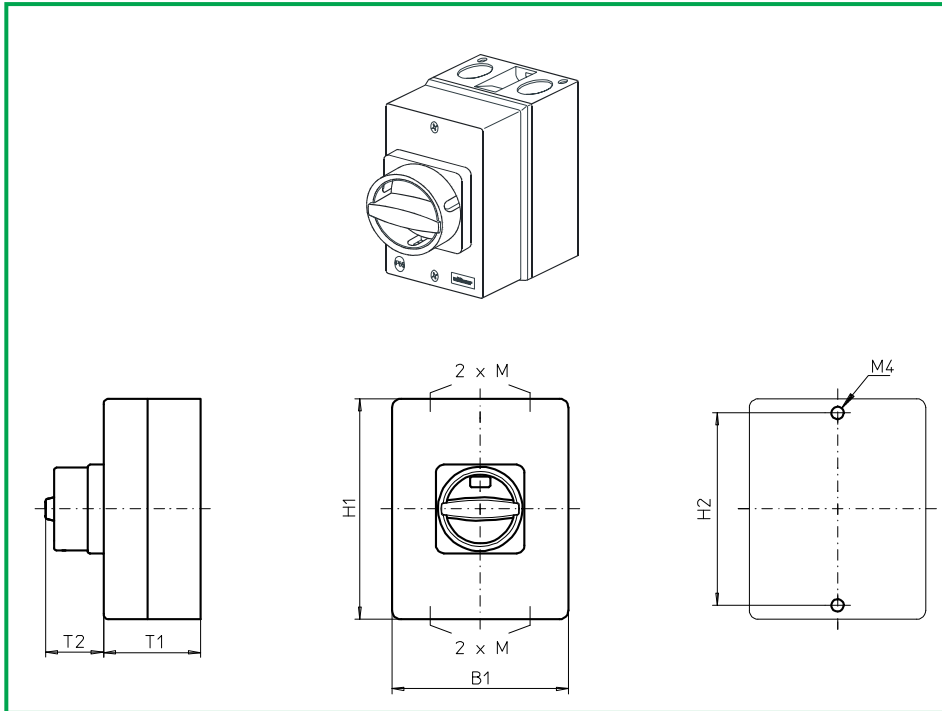


Enclosed Switches

sälzer



**Product line
H200-A**

Enclosed switches

Insulated enclosures
125 x 100 x 85 mm

With cover interlock
in ON position

Cable entries
4 x M20/ M25

700N1 (IP66)
700N4 (IP66)

Complete switch	Poles	Product line	Rated data (IEC 60947)			Order code number
			Operational current I _e AC-21A A	Operational power at 380–440 V AC-23A kW	AC-3 kW	
Main Switches OFF position padlockable 09h	3 ... 4	H200-A	20	5,5	3,7	H216 - 41 ... - 700N1
			25	7,5	5,5	H220 - 41 ... - 700N1
			32	11	7,5	H226 - 41 ... - 700N1
Main/Emergency-Off Switches OFF position padlockable 09h	3 ... 4	H200-A	20	5,5	3,7	H216 - 41 ... - 700N4
			25	7,5	5,5	H220 - 41 ... - 700N4
			32	11	7,5	H226 - 41 ... - 700N4
SMD modules for basic switch A02						
Mounting form module for 700N1/ 700N4			H200-A		BFA2 - E7	
Enclosure module, mounting form 700N1			H200-A		PAH2 - 700N1	
Enclosure module, mounting form 700N4			H200-A		PAH2 - 700N4	
Dimensions (mm)						
Product line	H1	B1	T1	T2	2xM	H2
H200-A	125	100	85	33	20/25	115