

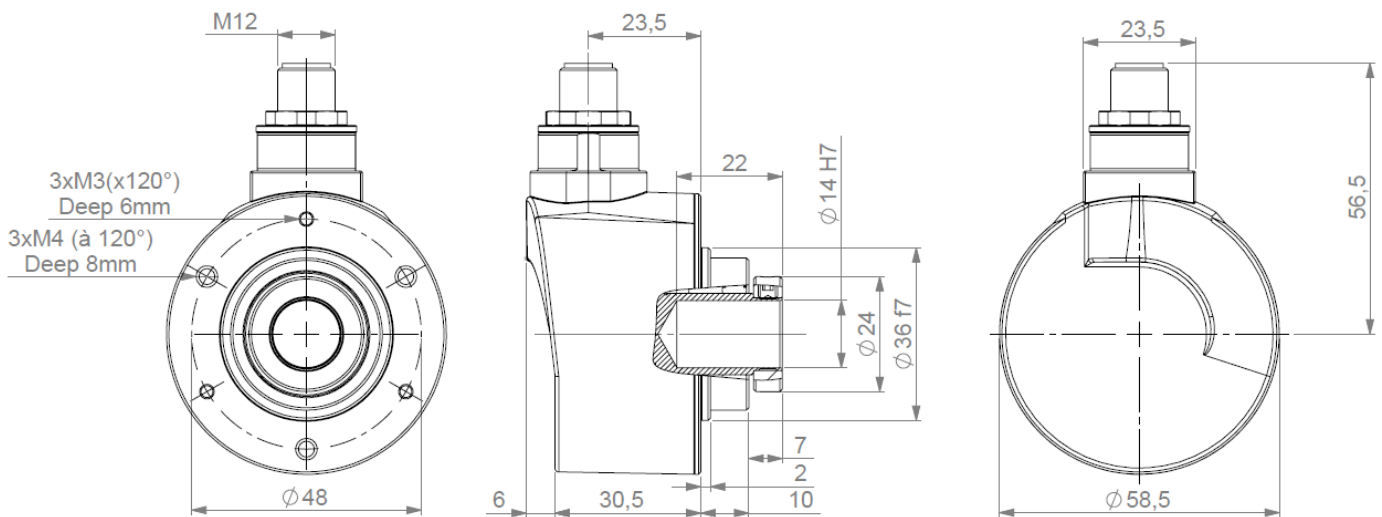
MAGNETIC INCREMENTAL ENCODERS, HHK5 RANGE

HHK5 is a new magnetic incremental encoders generation. It characterizes itself by its strong robustness of the mechanical and electro-magnetic parts :

- Application fields : agriculture, construction, forestry vehicles, medical applications, solar panels...
- Magnetic technology, contactless.
- Strong robustness with its reinforced bearing block and its stopped bearings.
- 58mm encoder – blind shat 14 mm – 15mm option – reduction hub available.
- Power supply from 5 to 30Vdc.
- Push-Pull or RS422 output.
- Available resolution up to 1024 points per revolution.
- Standard M12 or cable output – radial or axial.
- Available in option: Extended temperature range, IP67/IP68 (consult us).



HHK5 14 (radial M12)

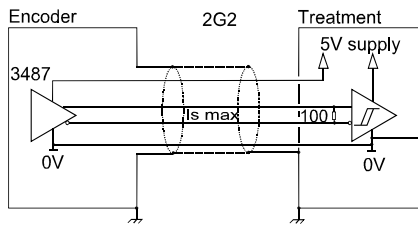


MECHANICAL CHARACTERISTICS

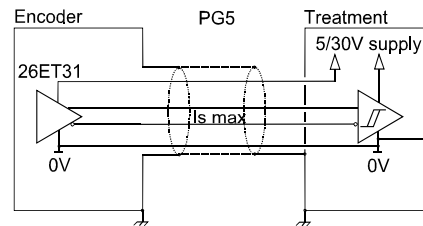
Material	Cover : zinc alloy	Vibrations (EN60068-2-6)	≤ 100 m.s ⁻² (55 ... 2 000 Hz)
	Body : aluminium	EMC	EN 61000-6-4, EN 61000-6-2
	Shaft : stainless steel	Isolation	500 V eff
Bearings	6 803 serie	Encoder weight (approx.)	0,300 kg
Maximal loads	Axial : 20 N	Operating temperature	- 20 ... + 85°C (encoder T°)
	Radial : 50 N	Storage temperature	- 40 ... + 85°C
Shaft inertia	≤ 2,2.10 ⁻⁶ kg.m ²	Protection(EN 60529)	IP 65
Torque	≤ 6.10 ⁻³ N.m	Torque (ring pressure screw)	nominal: 1.5 N.m, break: 2.0 N.m
Permissible max. speed	9 000 min ⁻¹	Theoretical mechanical lifetime 10 ⁹ turns (F _{axial} / F _{radial})	
Continuous max. speed	6 000 min ⁻¹	10N / 25N	230
Shocks (EN60068-2-27)	≤ 500 m.s ⁻² (during 6 ms)	20N / 50N	29

MAGNETIC INCREMENTAL ENCODERS, HHK5 RANGE

OUTPUT ELECTRONIC / POWER SUPPLY



2G2 electronic (100kHz)
Supply : 5Vdc \pm 10%
Cons. without load : 40mA max
Current per channel : 40mA max
0 max (Is=20mA) : $V_{ol} = 0,5Vdc$
1 min (Is=20mA) : $V_{oh} = 2,5Vdc$



PG5 electronic (100kHz)
Supply : 5 to 30Vdc
Cons. without load : 40mA max
Current per channel : 40mA max
0 max (Is=20mA) : $V_{ol} = 0,5Vdc$
1 min (Is=20mA) : $V_{oh} = V_{cc} - 2,5Vdc$

Protection against short circuits and inversion of polarity for the electronic PG5.

STANDARD CONNECTION

		-	+	A	B	0	A/	B/	0/	Ground
G3	PVC cable 8 wires 8230/020	WH white	BN brown	GN green	YE yellow	GY grey	PK pink	BU blue	RD red	Main shield
GM	M12 8 pinouts	1	2	3	4	5	6	7	8	Connecteur body

ORDERING REFERENCE (Contact the factory for special versions , ex: stainless steel version, connections...)

	Mechanics	Supply Output stage	Signals	Resolution	Connection	Connection orientation
HHK5: Incremental encoder	14: 14mm shaft Reduction hub available 15: 15mm option	2G2: 5Vdc TTL / RS422 output PG5: 5 to 30Vdc Push-pull output (TTL / RS422 available if encoder supply is 5Vdc)	9: A, A/ B, B/ 0, 0/	1024 : max	G3: PVC cable 8 wires GM: M12 8 pinouts	R020: Radial cable 2m R: Radial connection
Ex: HHK5_	14 //	PG5	9 //	01024 //	G3	R020

AVAILABLE RESOLUTIONS

32 64 128 256 1024

Made in FRANCE