

HAUG Ionization - for the elimination of electrostatic charges



Ionizing bar EI HRN

The HAUG EI HRN ionizing bar is intended for applications in temperatures up to +130°C. It is a powerful ionizer symmetrically generating positive and negative ions by means of alternating voltage. This process ensures that the area around the pins of the bar is ionized. Its design fulfills any conceivable mechanical engineering requirements. Even under high temperatures and at high feed speeds (ill.1), HAUG ionization systems reliably and effectively eliminate surface charges that interfere with production.

The HAUG system X-2000 coaxial high-voltage plug-and-socket connection offers unique benefits. The gas-tight high-voltage plug can be connected to HAUG power packs without tools. The highly flexible, coaxially shielded safety cable is used to connect the ionizing unit to the voltage supply source (power pack).

The round design of the EI HRN ionizing bar permits rotatable adjustment in the direction of travel of the material with millimeter precision. The ionizing bar is absolutely safe to touch. Special low-wear electrodes ensure long life.



EI HRN

HAUG ionization systems

HAUG ionization systems consist of the following components:

- a power pack with integrated high-voltage transformer
- one or more connected ionizing units such as the ionizing bar EI HRN, supplied by the power pack with a voltage of 7-8 kV.

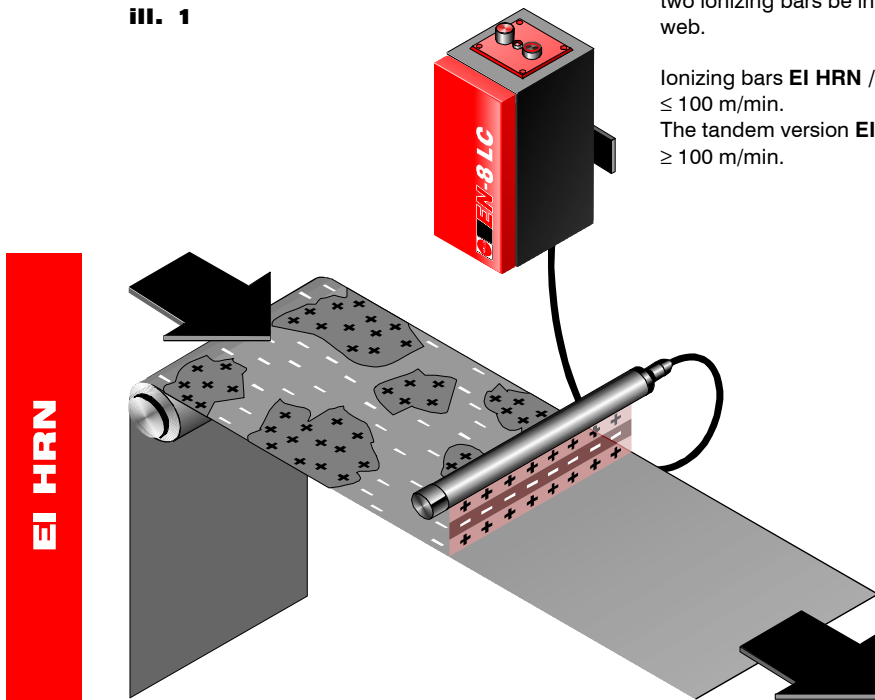
Applications

HAUG EI HRN ionizing bars are used in the textile industry on ironing, folding and finishing machines, for plastics processing on extruders, blow-molding machines and calenders, in the manufacture of fiberglass and on printing machines as well as for many other industrial applications. It is recommended that two ionizing bars be installed above and below the material web.

Ionizing bars EI HRN / EI HRA are suitable for machine speeds ≤ 100 m/min.

The tandem version EI HRD is suitable for machine speeds ≥ 100 m/min.

ill. 1



temperature
resistant and

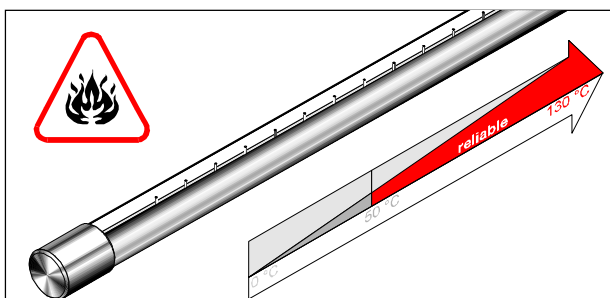


reliable up to
+ 130 °C

Other bar types are available

- EI HRA without HT-cable, suitable for connecting a highly flexible, detachable HT-connection cable (type HVK-Flex).
- EI HRD tandem version (2 bars). Permanently connected high-voltage cable not detachable from bar.

ill. 2



HAUG GmbH & Co. KG

Germany

Friedrich-List-Str. 18
D-70771 Leinf.-Echterdingen
Phone: +49 711 / 94 98-0
Telefax: +49 711 / 94 98-298

www.haug.de
E-mail: info@haug.de

HAUG Biel AG

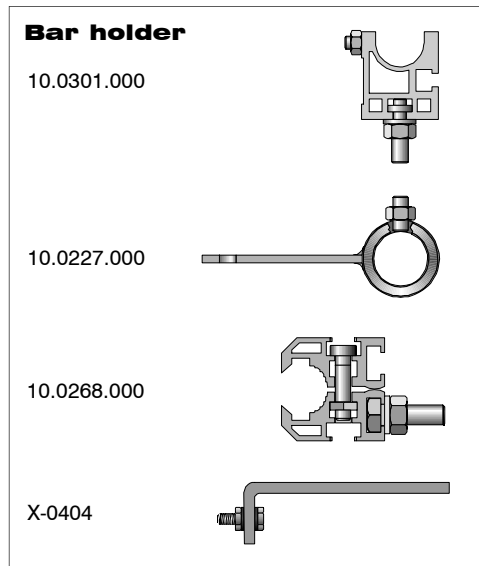
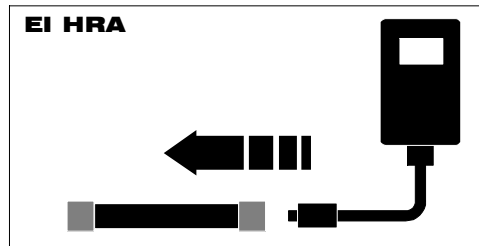
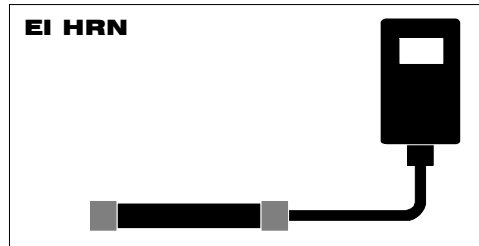
Switzerland

Johann-Renfer-Str. 60
CH-2500 Biel-Bienne 6
Phone: +41 32 / 344 96 96
Telefax: +41 32 / 344 96 97

www.haug-ionisation.com
E-mail: info@haug-biel.ch

Static Line - Ionizing bar EI HRN





EI HRN

Technical data EI HRN

Types:	EI HRN	Order-No.: 03.7019.000
	inseparable high-voltage cable, attached permanently to bar.	
	HV-cable	Order-No.: 06.0211.000
	EI HRA	Order-No.: 03.8016.000
	detachable high-voltage cable.	
	HVK-Flex 21	Order-No.: 02.8480.000
	HVK-Flex 22	Order-No.: 02.8481.000
	HVK-Flex 23	Order-No.: 02.8482.000
	HVK-Flex 24	Order-No.: 02.8483.000
	EI HRD	tandem version (2 bars), inseparable high-voltage cable, attached permanently to the bar.
	HV-cable	Order-No.: 06.0211.000

Diameter: 20 mm

Operating temperature: +5 °C to +130 °C

Storage/transport temperature: -15 °C to +60 °C

Optimum effective distance: 20 – 30 mm

Effective length: bar length - 100 mm

Smallest bending radius (cable): R 50

Subject to technical changes!

Accessories

Bar holder, block half open	Order-No.: 10.0301.000
Bar holder, closed	Order-No.: 10.0227.000
Clamping holder, 2 parts	Order-No.: 10.0268.000
Bracket, large	Order-No.: X-0404 etc.

Suitable power packs

Connectable lengths (ionizing unit incl. high-voltage cable):

EN SL	max. 5 m
EN SL LC / EN SL RLC	max. 10 m
EN 8 / EN 8 LC	max. 18 m
Multistat	max. 18 m
EN 70 / EN 70 LC	max. 2 x 18 m

