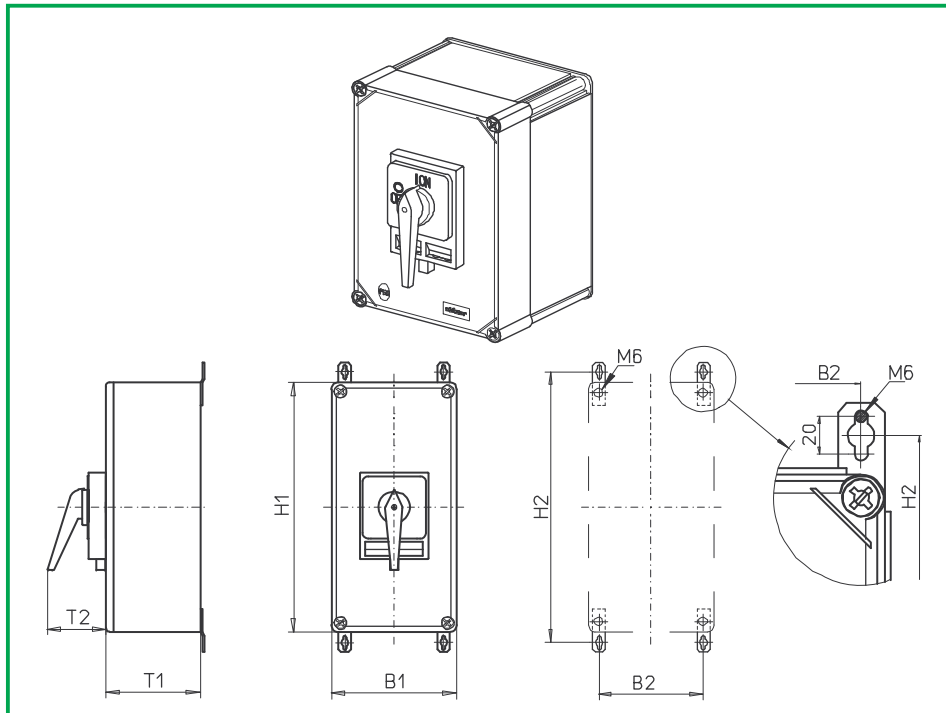


Enclosed Switches

sälzer



**Product line
K616**

Enclosed switches

Insulated enclosures
440 x 320 x 255 mm

With cover interlock
in ON position

Cable entries
Blank gland plates

177H1 (IP66)

177H4 (IP66)

Complete Switch	Poles	Product lines	Rated Data (IEC 60947)			Order Code Number
			Operational current I _e	Operational power at 380–440V		
			AC-21A A	AC-23A kW	AC-3 kW	
Main Switches Switching angle 90° OFF position padlockable 09h	3 ... 8	K616	160	75	45	K616 - 41 ... - 177H1
Main/Emergency-Off Switches Switching angle 90° OFF position padlockable 09h	3 ... 8	K616	160	75	45	K616 - 41 ... - 177H4
SMD modules for switch module						
Mounting form module			K616			K616- 41 ... - ED
Enclosure module, mounting form 177H1 H-padlock device black						PAK6-177H1
Enclosure module, mounting form 177H4 H-padlock device yellow/red						PAK6-177H4
Dimensions (mm)						
Product line	H1	H2	B1	B2	T1	T2
K616	440	480	320	293	255	83
Switching programmes						
Main Switches and Main/Emergency-Off Switches	3- /4-pole	41311, 41320, 41411, 41420				
	6-pole	41600, 41611, 41620				
	8-pole	41800				