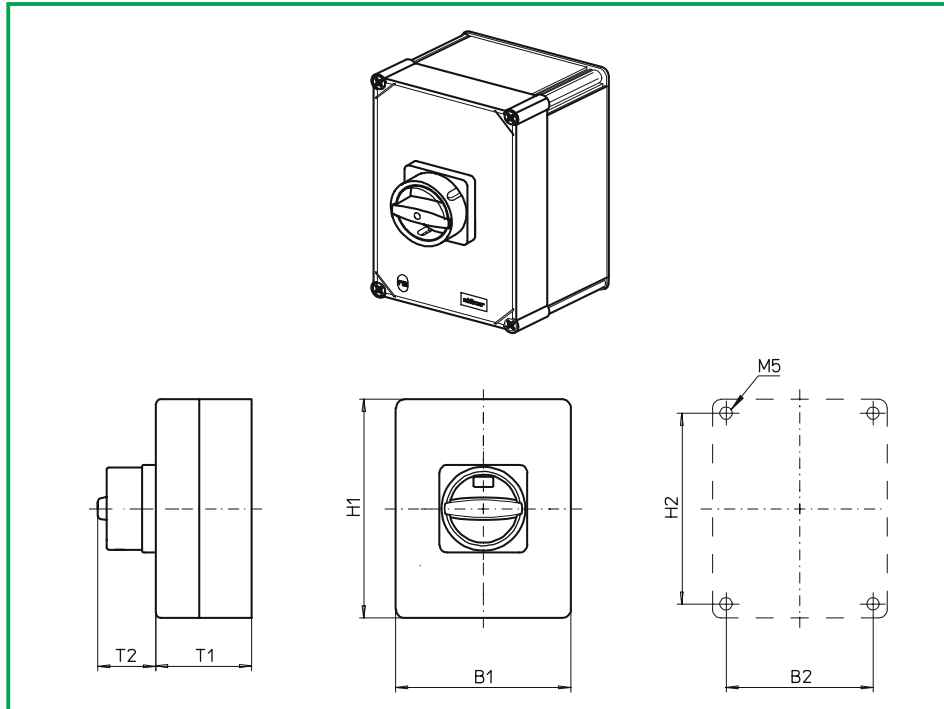


# Enclosed Switches

**sälzer**



**Product line  
H400-A**

**Enclosed switches**

**Insulated enclosures**  
320 x 220 x 180 mm

**Cable entries**  
Gland plates

**471N1 (IP66)**  
**471N4 (IP66)**

Complete switch	Poles	Product line	Rated data (IEC 60947)			Order code number
			Operational current $I_e$		Operational power at 380–440 V	
			AC-21A A	AC-23A kW		
Main Switches OFF position padlockable 09h	3 ... 4	H400-A	63 80 100 125	22 30 37 45	18,5 22 30 37	<b>H406 - 41 ... - 471N1</b> <b>H408 - 41 ... - 471N1</b> <b>H410 - 41 ... - 471N1</b> <b>H412 - 41 ... - 471N1</b>
Main/Emergency-Off Switches OFF position padlockable 09h	3 ... 4	H400-A	63 80 100 125	22 30 37 45	18,5 22 30 37	<b>H406 - 41 ... - 471N4</b> <b>H408 - 41 ... - 471N4</b> <b>H410 - 41 ... - 471N4</b> <b>H412 - 41 ... - 471N4</b>

SMD modules for basic switch A02		
Mounting form module (switch module ED)	H400-A	<b>BFA4 - ED</b>
Enclosure module, mounting form 471N1		<b>PAH4 - 471N1</b>
Enclosure module, mounting form 471N4		<b>PAH4 - 471N4</b>

Dimensions (mm)						
Product line	H1	B1	T1	T2	H2	B2
H400-A	320	220	180	45	293	193