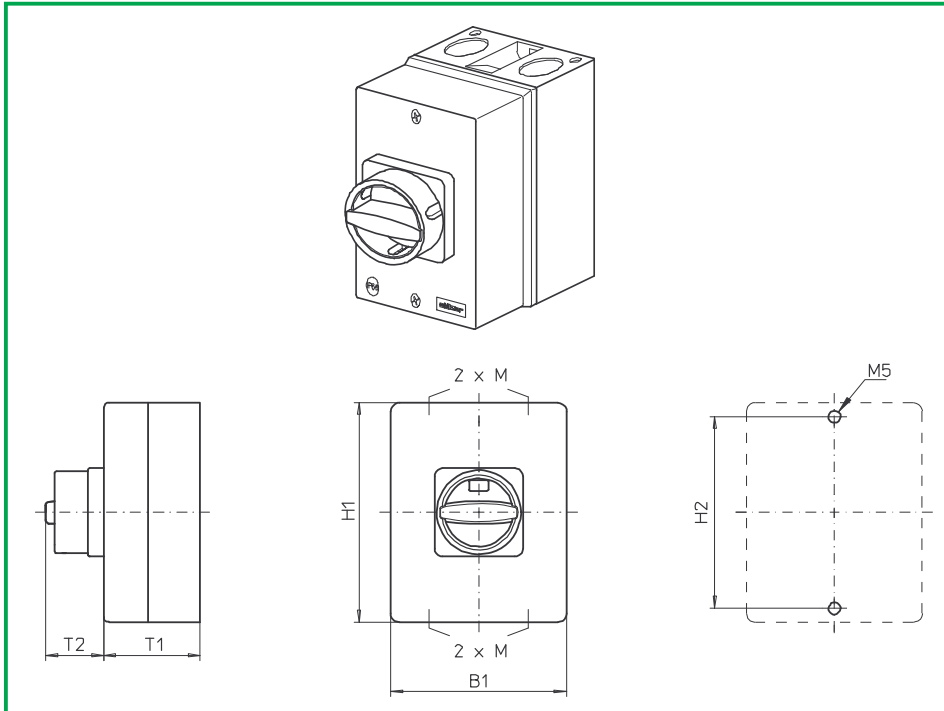


Enclosed Switches



Product line
H400-A

Enclosed switches

Insulated enclosure
250 x 160 x 120 mm

With cover interlock
in ON position

With N/PE connection link

Cable entries
4 x M32/ M40

730N1 (IP66)

730N4 (IP66)

Complete switch	Poles	Product line	Rated data (IEC 60947)			Order code number
			Operational current I _e	Operational power at 380–440 V		
			AC-21A A	AC-23A kW	AC-3 kW	
Main Switches OFF position padlockable 09h	3 ... 4	H400-A	63	22	18,5	H406 - 41 ... - 730N1
			80	30	22	H408 - 41 ... - 730N1
			100	37	30	H410 - 41 ... - 730N1
Main/Emergency-Off Switches OFF position padlockable 09h	3 ... 4	H400-A	63	22	18,5	H406 - 41 ... - 730N4
			80	30	22	H408 - 41 ... - 730N4
			100	37	30	H410 - 41 ... - 730N4

SMD modules for basic switch A02			
Mounting form module (switch module ED)		H400-A	BFE4 - ED
Enclosure module, mounting form 730N1			PAH4 - 730N1
Enclosure module, mounting form 730N4			PAH4 - 730N4

Dimensions (mm)						
Product line	H1	B1	T1	T2	2xM	H2
H400-A	250	160	120	45	32/40	235